

# Outdoor Water Resistant AI PoE Switch

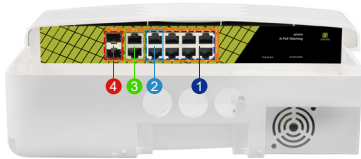
## GNT-P1012G6-F

- Total 120W Power Supply
- 8 ports PoE
- 2 ports Uplink
- 2 ports SFP

## Product Features

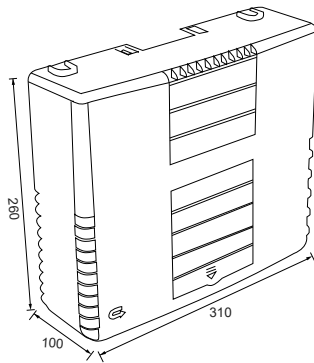
- AI Watchdog Function
- 6KV Lightning & 8KV ESD Protection
- Support bt 60W High Power

## Ports Description

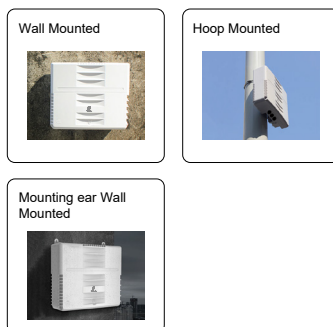


- ① 1000Mbps PoE Ports
- ② bt 60W Power Ports
- ③ 1000Mbps Uplink Ports
- ④ 1000Mbps SFP Ports

## Dimension (mm)



## Installation Diagram



## Specifications

Model	GNT-P1012G6-F
Ports	PoE (1~6):10/100/1000Mbps PoE ports (RJ45) PoE (7~8):10/100/1000Mbps PoE ports (RJ45),Support bt 60W High Power LAN(1~2):10/100/1000Mbps uplink ports (RJ45) SFP(1~2):10/100/1000Mbps SFP ports
Transmission Rate	2000Mbps Full Duplex; 10 or 100 or 1000 Mbps Half Duplex
Transmission Distance	130m
Performance Specification	Bandwidth:24Gbps
	Network Latency (10 to 1000Mbps): $\leq 16\mu s$ (use the 64byte package size)
	MAC address table: 8K
	The Frame Filter & Transmission Rate: 14800pps the most for 10M port, 148800pps the most for 100M port;1488000pps the most for 1000M port
Networking Standard	IEEE 802.3i 10BASE-T/IEEE 802.3u 100BASE-TX
	IEEE 802.3ab 1000BASE-T
	IEEE 802.3x Flow Control
	IEEE 802.3af/at/bt Power over Ethernet
Power Support	Power Input: AC 90~240V Total $\leq 120W$ AI Watchdog: Port 1~8 Power Output: PoE1~6 Port:1/2(+52V),3/6(GND) $\leq 30W$ PoE7~8 Port:1245(+53V),3678(GND) Compatible1/2(+52V),3/6(GND) $\leq 60W$
Protection Level	Lightning Protection:6KV ESD Protection:8KV
Physical Specifications	Size(L*W*H): 310mm*260mm*100mm, Weight: 1.6KG
Working Environment	Operating Temperature: -30°C~60°C
	Storage Temperature: -40°C~70°C
	Operating Humidity: 10%~90% Non-condensing
	Storage Humidity: 5%~90% Non-condensing
Certification	CE
	FCC
	RoHS 2.0
Warranty	Whole Device: 1 year
Package Content	AC Power Cable, User Manual, Installation Kits (Steel hoops, Waterproof pipes, Wall mounting earrings)